

Innovation

project

2014

Emmi Kainulainen / Mira Hölttä / Toni Grönmark



HOW CAN WE
HELP & ENCOURAGE
PEOPLE TO RECYCLE
MORE & BETTER ?



OUTCOME

ATTRACTIVE CONCEPT

MODELING THE CONSTRUCTION

FUNCTIONAL QUALITIES

USER INTERVIEWS

WEEK 35

Defining the subject
Research : getting to know existing products
First ideas + sketching, starting to make the presentation

WEEK 36

Sketching
Meeting with the L&T representative / questions + ideas
Designing the functional qualities of the plan
Interviewing consumers

WEEK 37

Technical qualities + visual look
Possibilities (law)
Making the decisions of material

WEEK 38

Further development / questioning the choices
Modeling + construction drawing
Upgrading the project to fit the existing sheds, new elements

WEEK 39

Further development, Upgrading the project
New elements for the existing sheds
Services for L&T to offer

WEEK 40

Further development, Upgrading the project, User Interviews
Modelling the new elements for the existing sheds
Questioning the choices made, putting final touches to the project

WEEK 41

Finishing the project
FINAL PRESENTATION



IDEAS FOR THE STRUCTURE



OUR THOUGHTS & IDEAS FOR THE PERFECT RECYCLING ROOM

HYGIENE

No touching at all

The opportunity to wash your hands

Clean place -> maybe you don't have to see the garbage at all



BRIGHT

You can see clearly

A place with good lighting



WARM

Warm feeling
comes through
materials (wood)



TECHNOLOGY & SAFETY

Doesn't need to use the key
--> doors will open when you
go close

Have the option to lock the
doors



KNOWLEDGE

Knowledge where
to put all the stuff

A new perspective
for signboards



USER INTERVIEW RESULTS

"RECYCLING SHEDS SHOULD HAVE MORE LIGHT, THAT WOULD BRING A SAFER FEELING TO GO THERE."

"RECYCLING SHOULD START INSIDE OF THE APARTMENT, WE SHOULD HAVE MORE SPACE FOR RECYCLING IN THE KITCHEN CABINETS."

"THERE SHOULD BE SOME KIND OF HATCH WHERE I COULD THROW DOWN TO THE RIGHT PLACE."

"I DON'T FEEL LIKE TAKING OUT THE TRASH WHEN I'M LEAVING FOR WORK, MY HANDS GET DIRTY!"

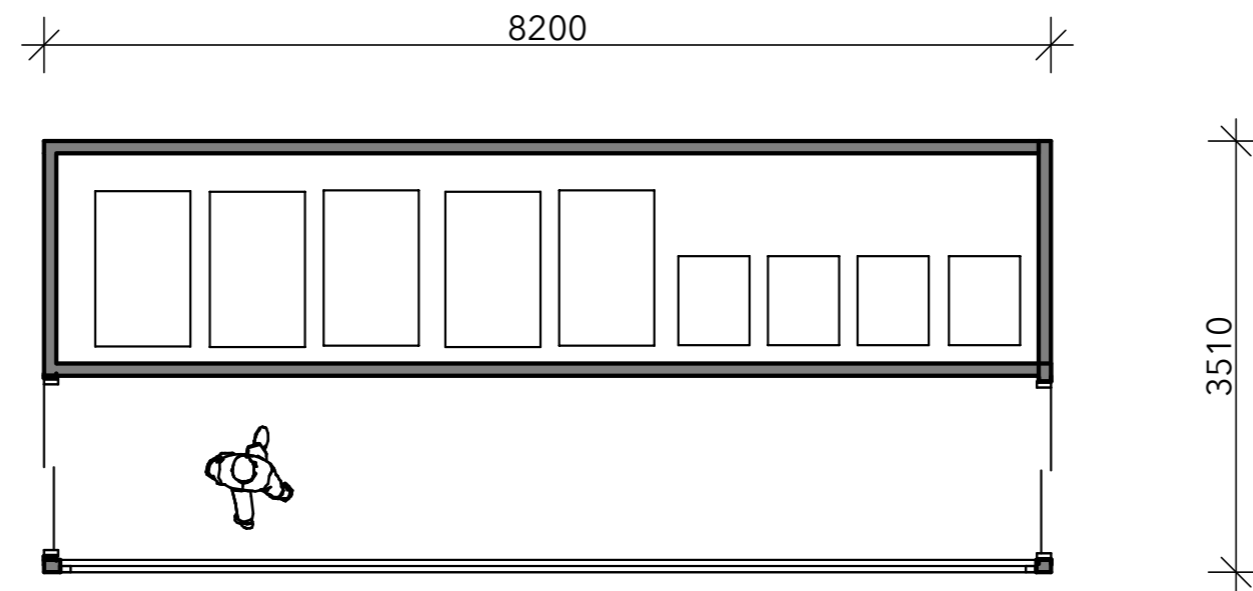
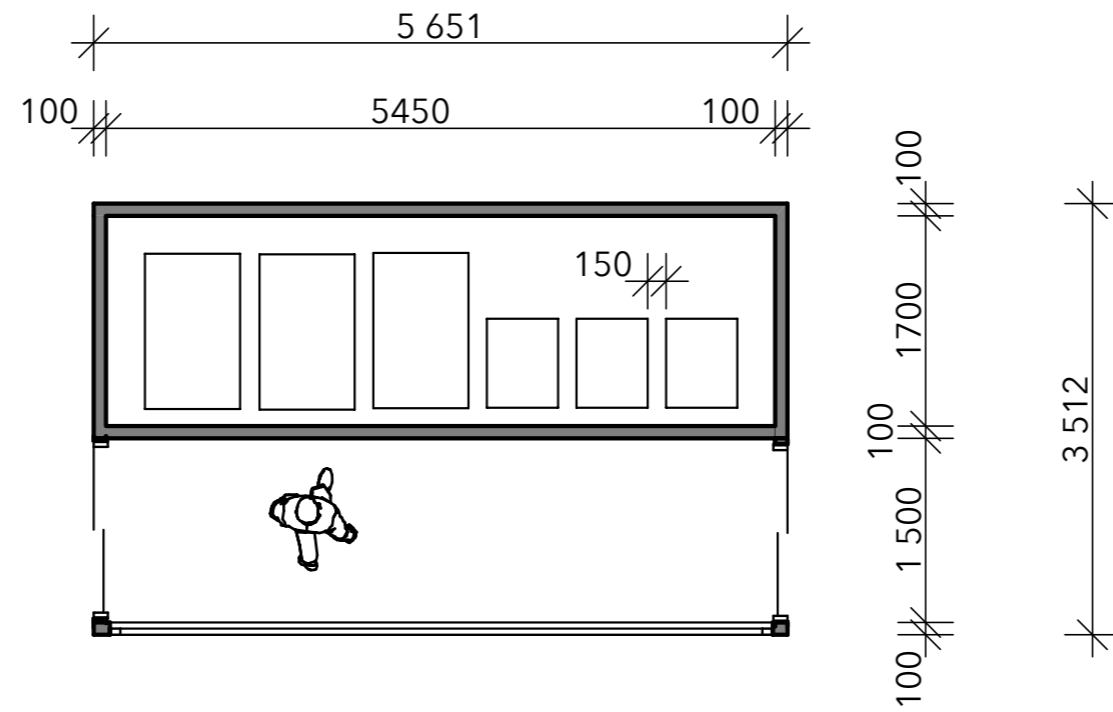
"OUR RECYCLING SHED FEELS AND SEEMS REALLY DIRTY."

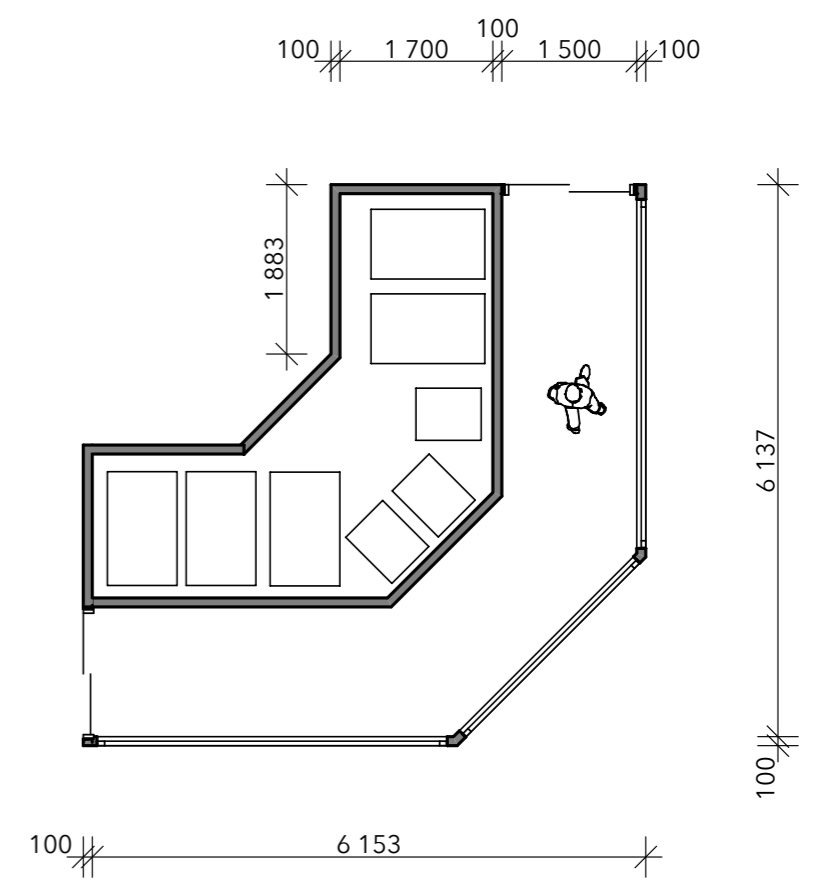
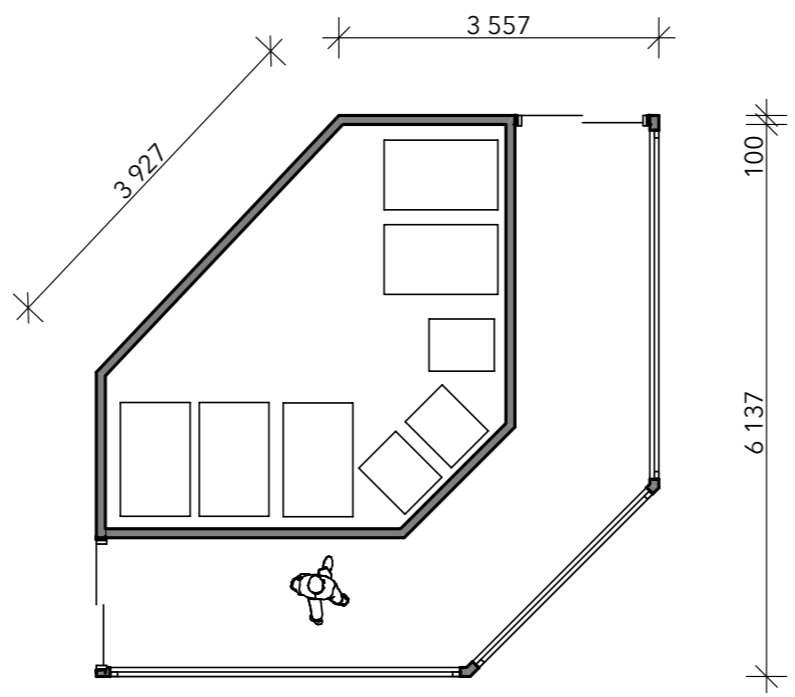
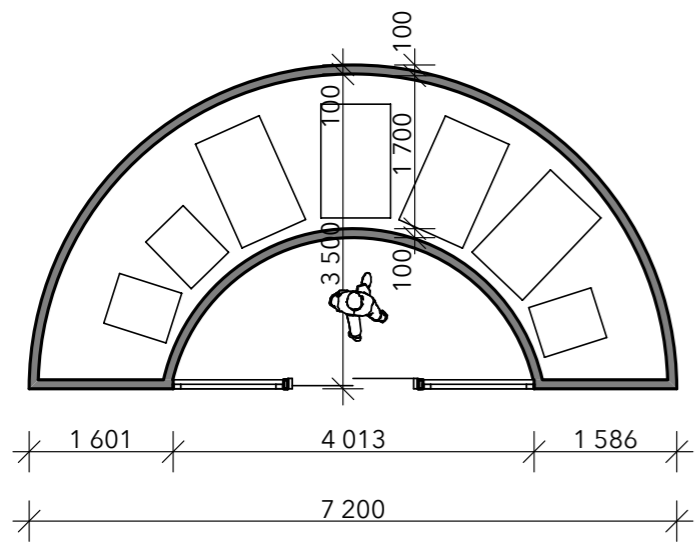
"WE SHOULD HAVE BETTER INFORMATION ABOUT WHERE THE TRASH REALLY BELONG, HOW DO I RECYCLE THE RIGHT WAY?"

"WE SHOULD HAVE MORE OPPORTUNITIES AND WAYS TO RECYCLE."

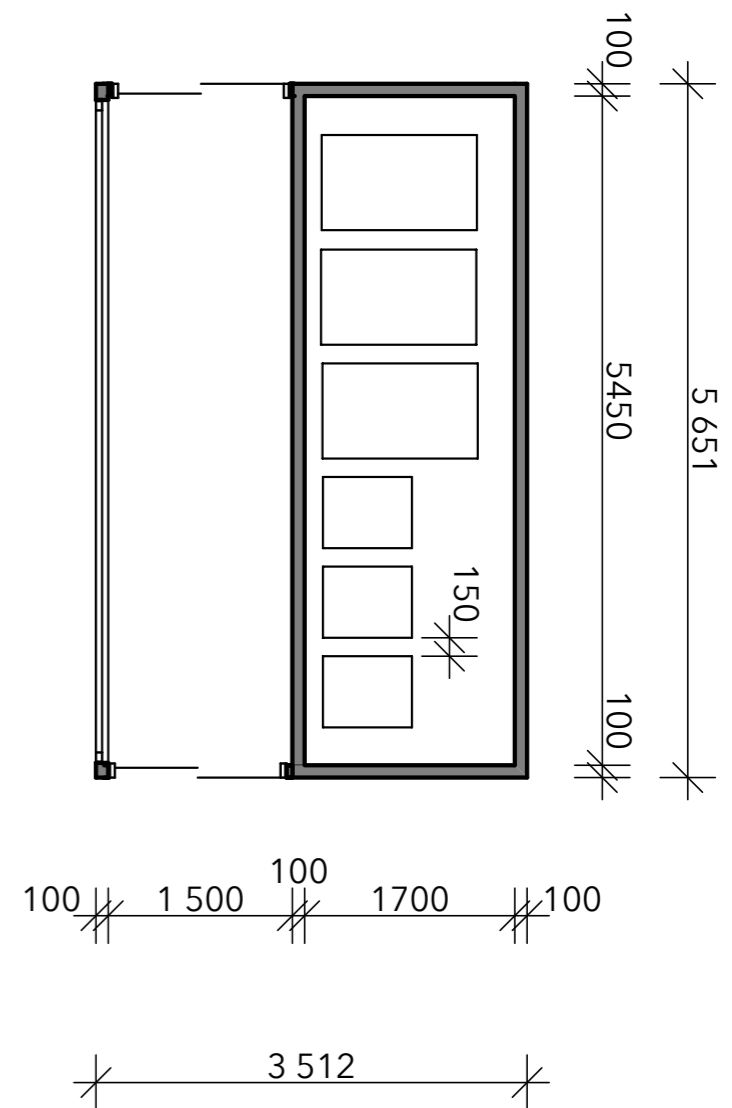
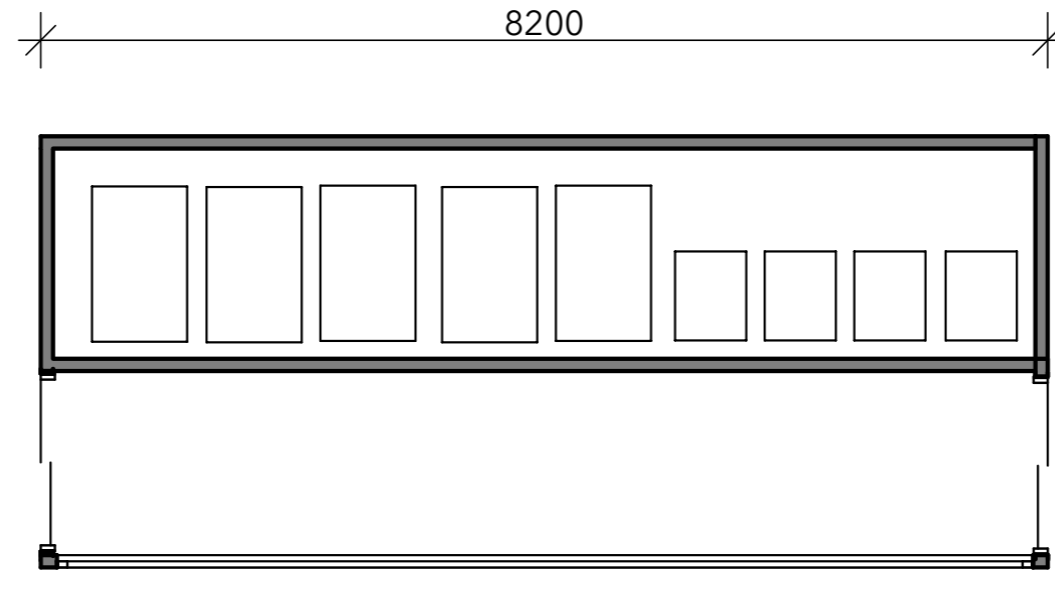
SOME KIND OF USELESS GOODS CHANGING SHELF SOUNDS REASONABLE, BUT I DON'T WANT OUR SHED TO TURN INTO A DUMP!

FIRST
THOUGHTS
ABOUT
DIMENSIONING
AND
FLOOR PLANS

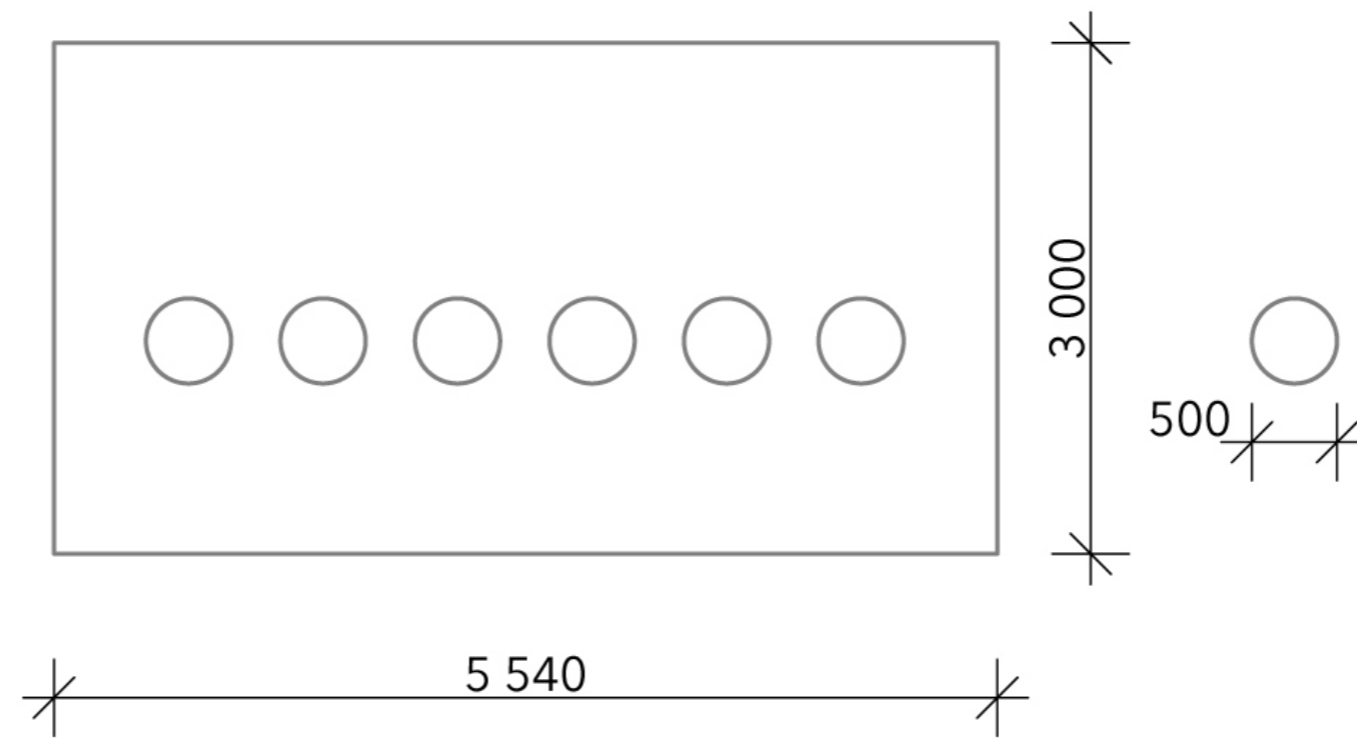




ESIMERKKI
SIJOITTELUSTA

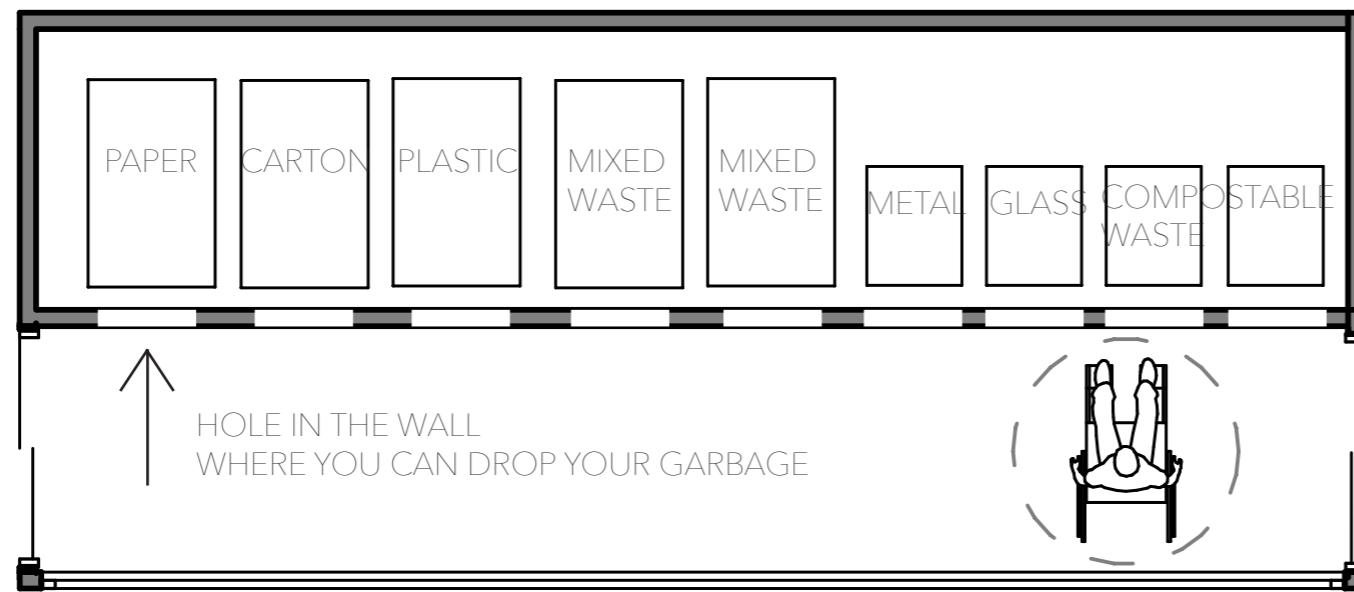


WALL PROJECTION



L&T SIDE

TIP-UP DOOR



HOLE IN THE WALL
WHERE YOU CAN DROP YOUR GARBAGE

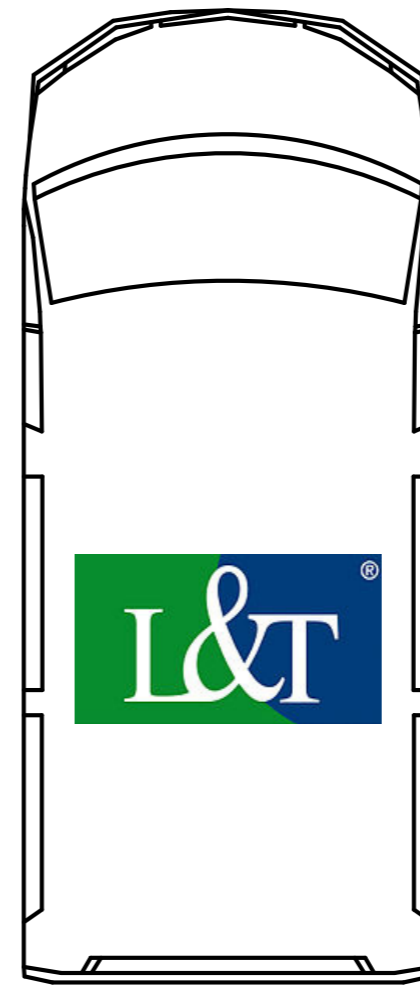
← ENOUGH SPACE
FOR WHEELCHAIRS

← GLASS DOOR

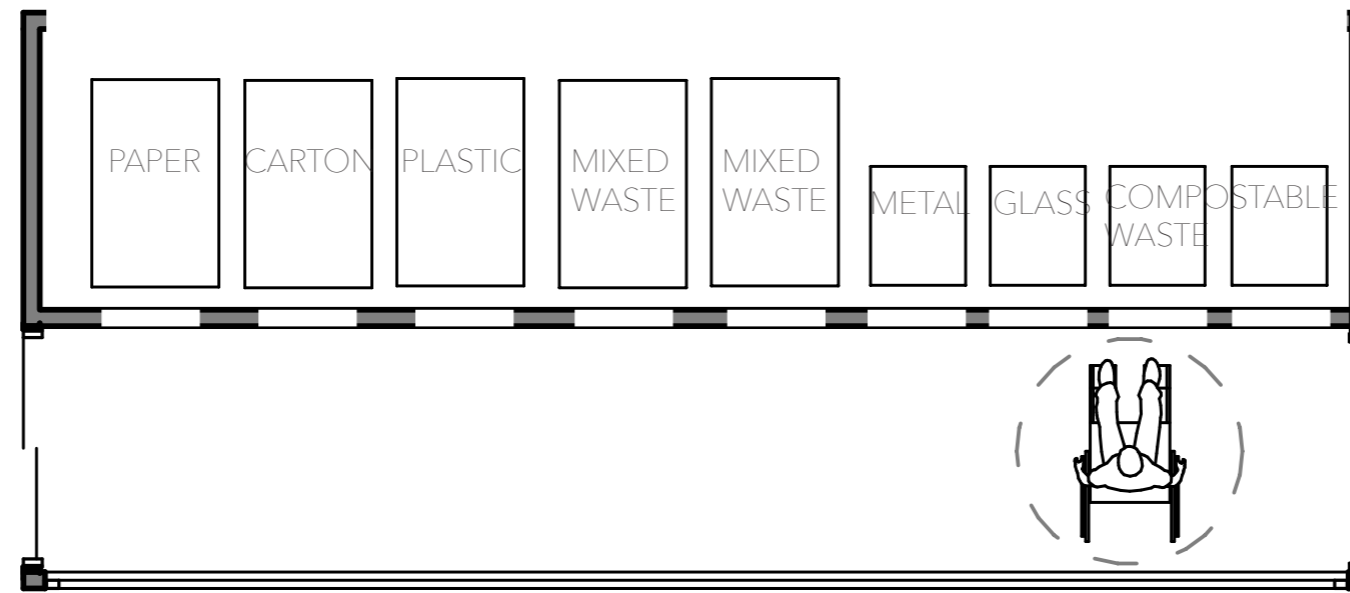
GLASS WALL

CUSTOMERS SIDE

L&T SIDE

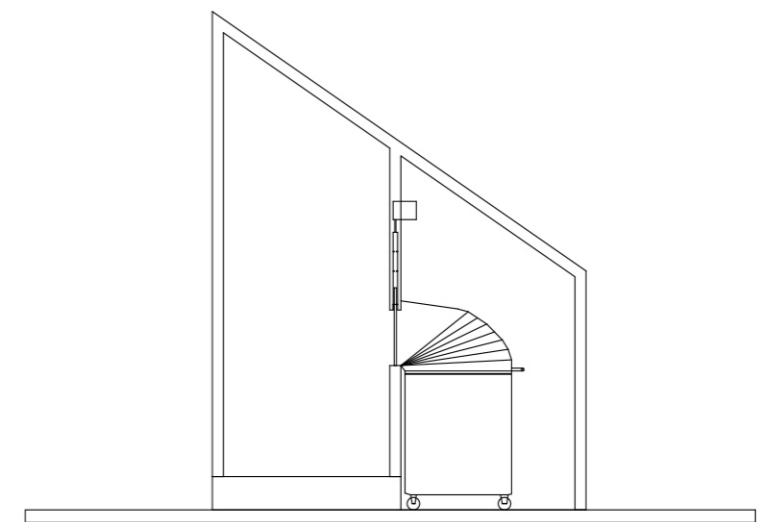
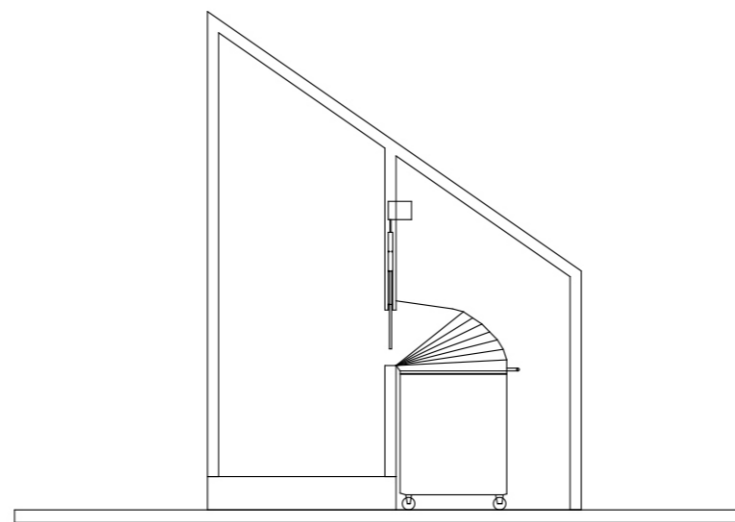
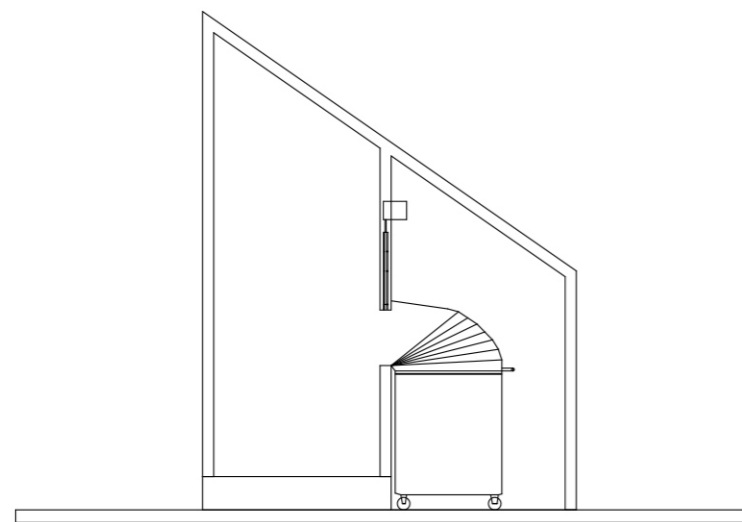


↓ TIP-UP DOOR
OPEN

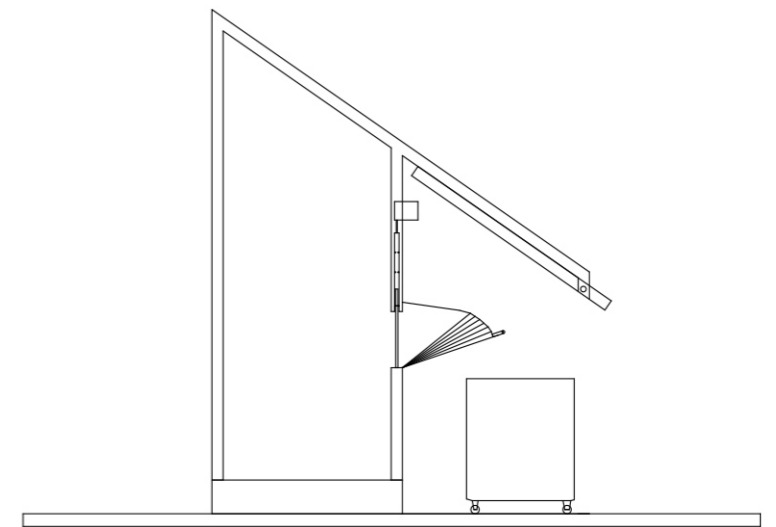
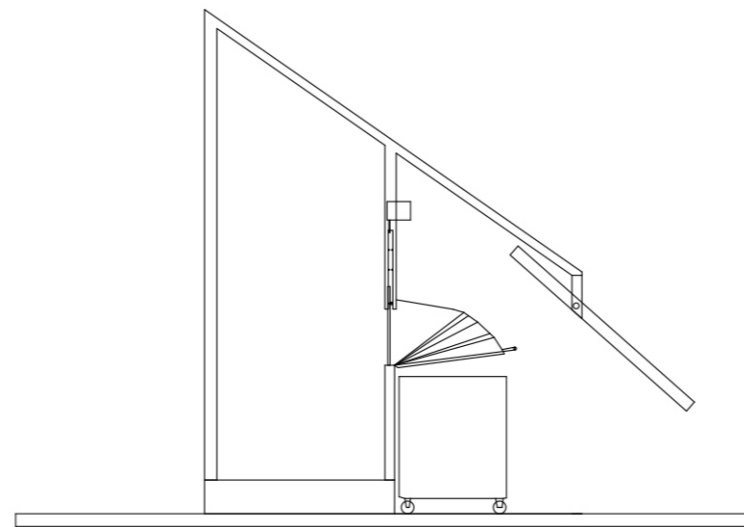
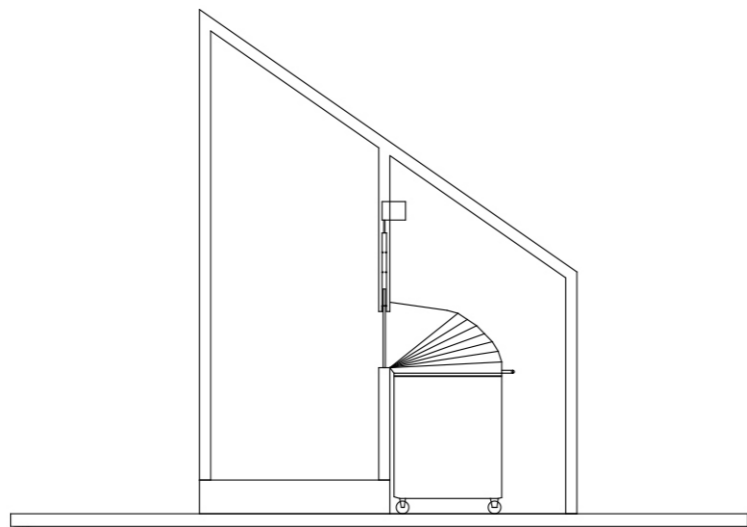


CUSTOMERS SIDE

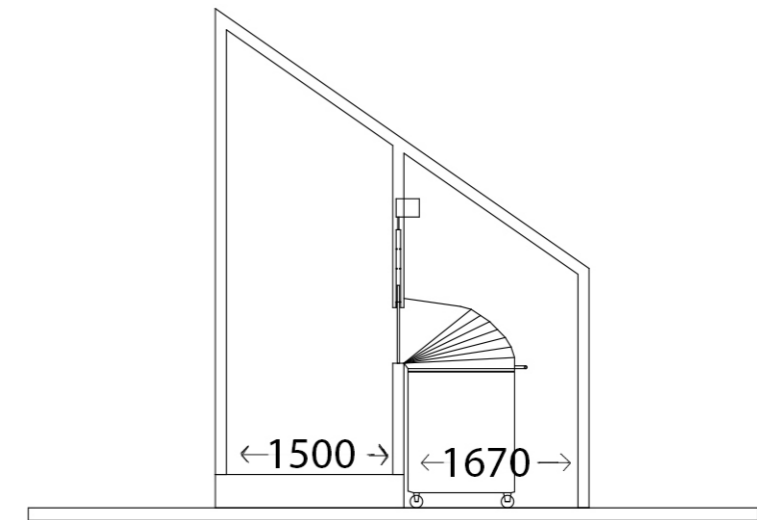
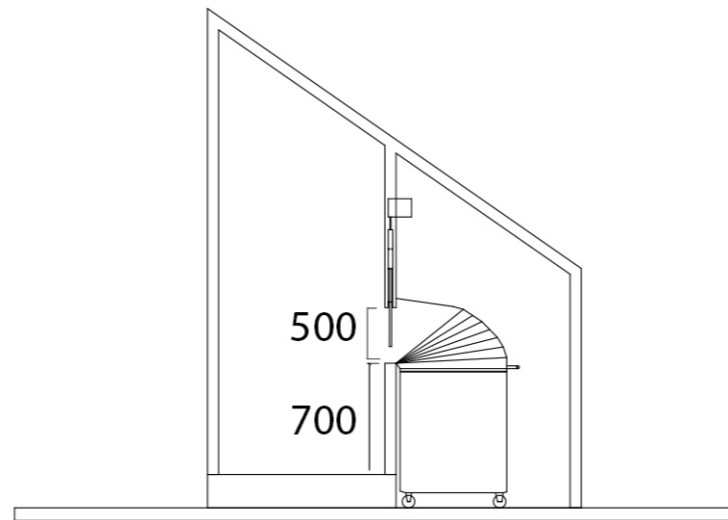
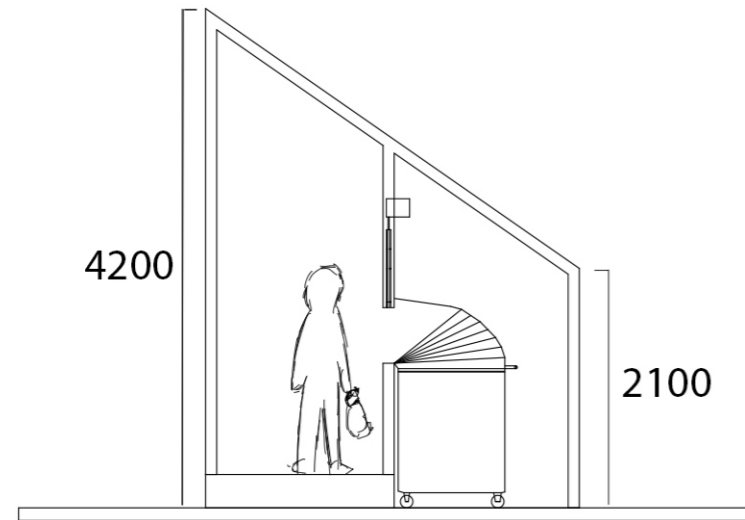
SIDE PROJECTIONS WITH AN INNOVATIVE TUBE SYSTEM



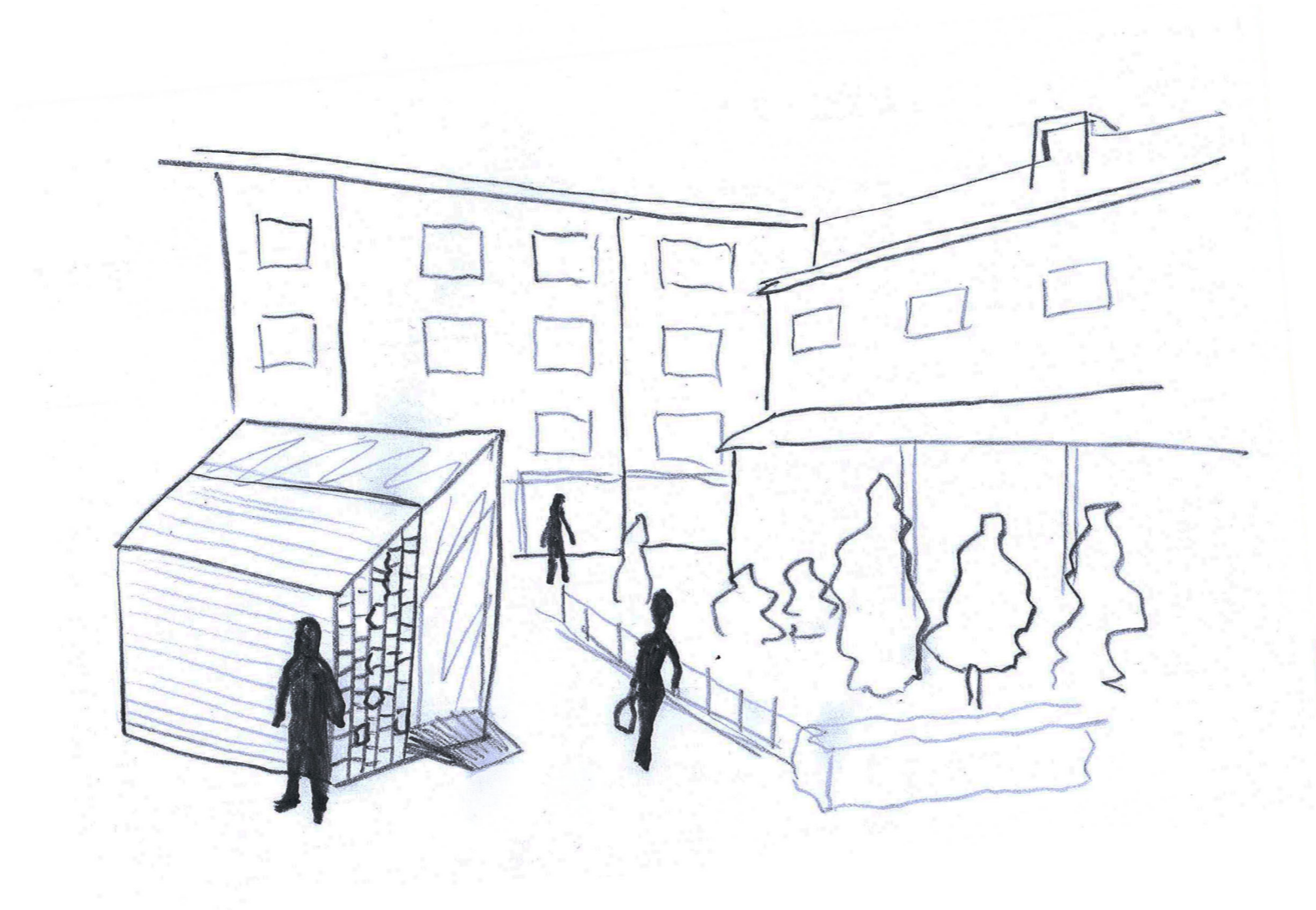
THE TUBE SYSTEM IS EASY FOR THE L&T EMPLOYEE

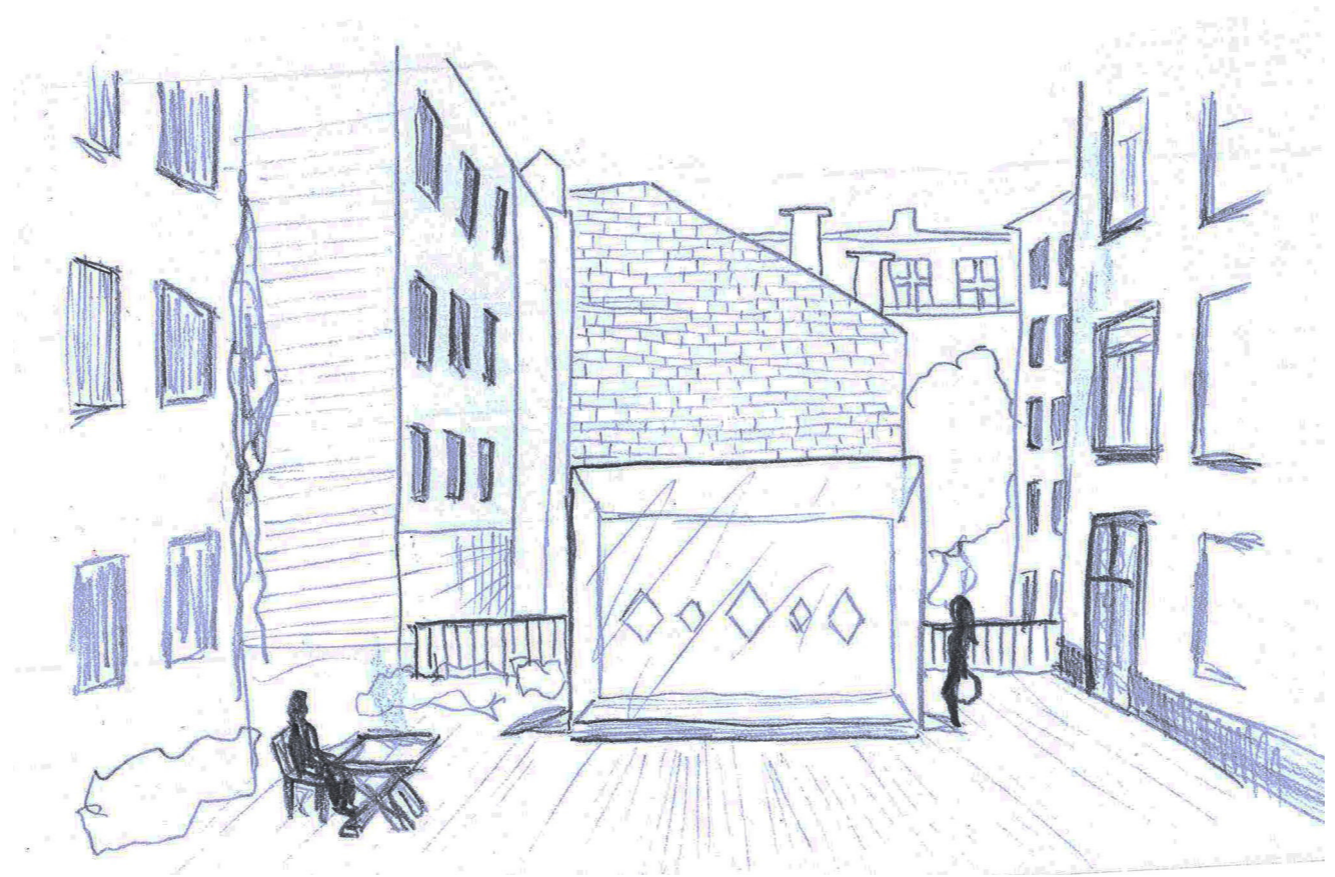


THE TUBE SYSTEM WITH MEASUREMENTS



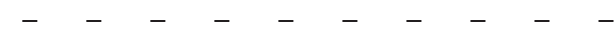
FIRST SKETCHES





HOW TO GET
THE ELEMENTS
TO THE EXISTING
SHEDS?

AUTOMATIC



OPENING SYSTEMS FOR THE LIDS

HYGIENIC



HAND DESINFECTING TOWELS
NO TOUCHING

INFORMATIC



DIGITAL INFORMATION SCREEN / BOARD

LIGHTING



LED- LIGHTING, MORE LIGHTING SOURCES