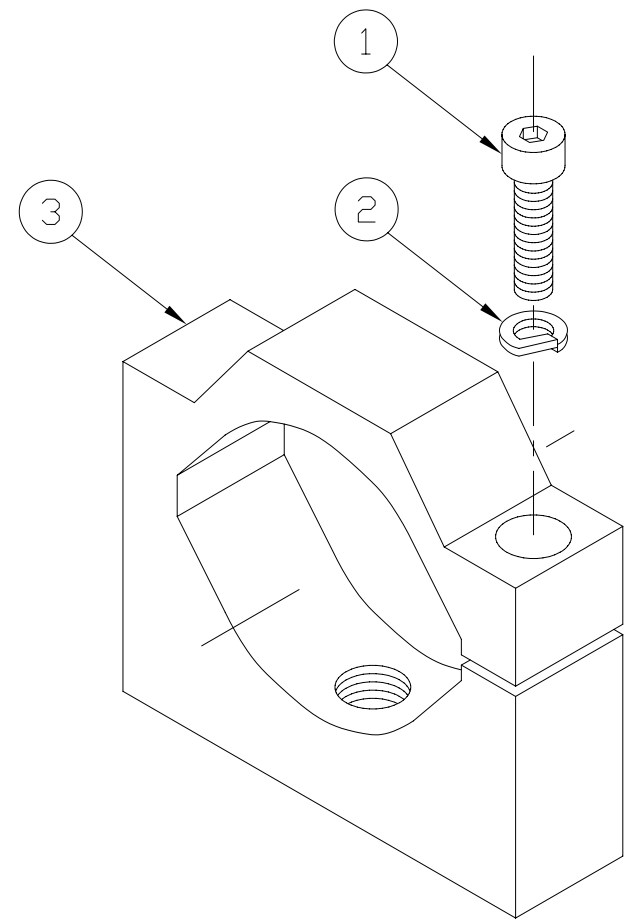
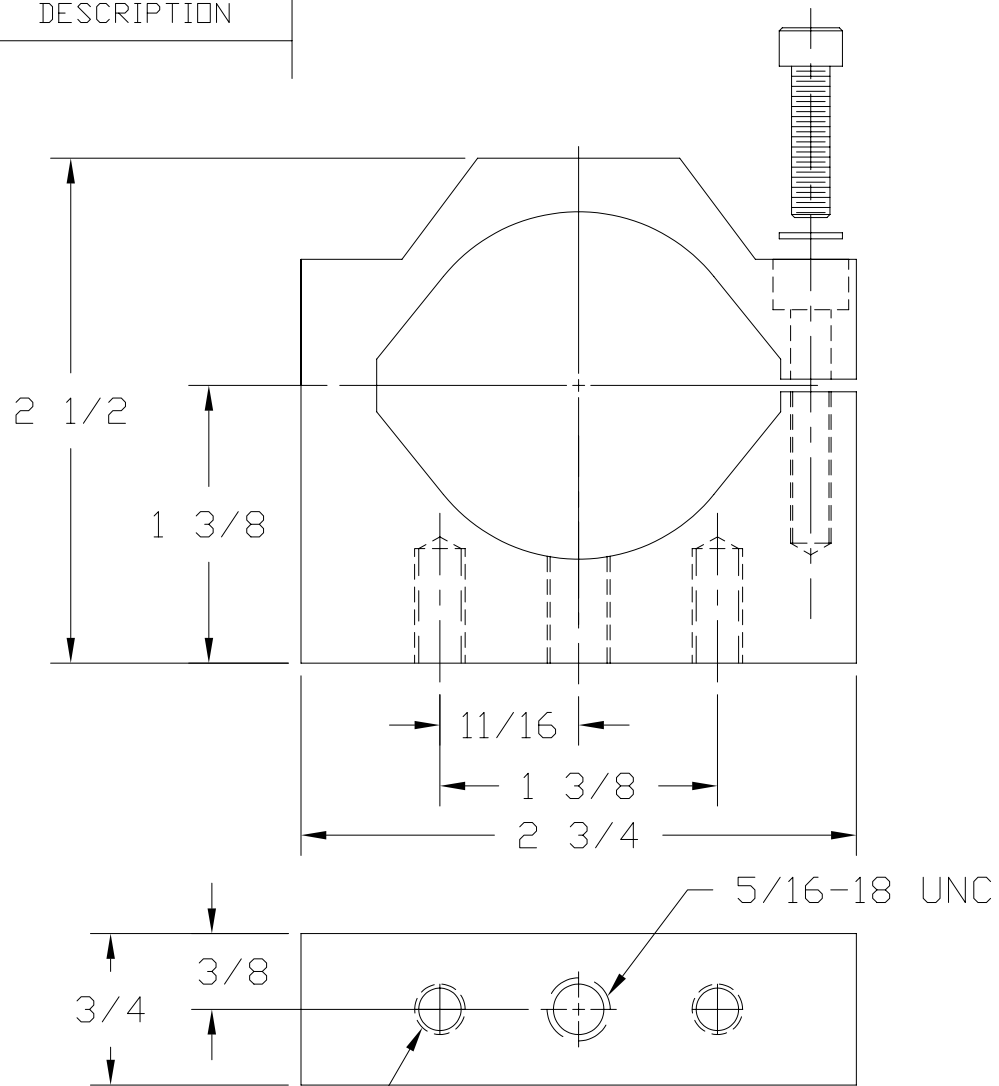


TAB NO.	DESCRIPTION

DATE	SYM	ECO NO.	REVISION RECORD	AUTH	DR	CHK
2/94	01	94-0470	NEW DRAWING		AA	AA
8/94	02	94-0519	ADD 1/4-20 HOLES		AA	AA



1/4-20 UNC (2)
5/8 DP

THIS DRAWING AND ITS SUBJECT MATTER ARE DISCLOSED IN CONFIDENCE. THESE ARE NOT TO BE DISCLOSED TO OTHERS WITHOUT WRITTEN CONSENT OF ADDCO MANUFACTURING.	DO NOT SCALE DRAWING	DRAWN	AA	MAT'L	N/A			ADDCO MFG. CO.		
	TOLERANCE (EXCEPT AS NOTED)	DATE	2/22/94	FINISH	PURCH <input type="checkbox"/> MACH <input type="checkbox"/>			ASSY <input type="checkbox"/> FAB <input type="checkbox"/>		
	DECIMAL .X ±0.020	CHECKED		HEAT TREAT	TITLE			KIT, CLAMP ERC 330		
	DECIMAL .XX ±0.010	DATE		HEAT TREAT	CLASS			DRAWING NUMBER		
	DECIMAL .XXX ±0.005	APPROVED		HEAT TREAT	REV			02		
	FRACTIONAL ± 1/64	DATE		HARDNESS	B			001-2409		
ANGULAR ± 1°	SCALE	1/1	SIZE	A						