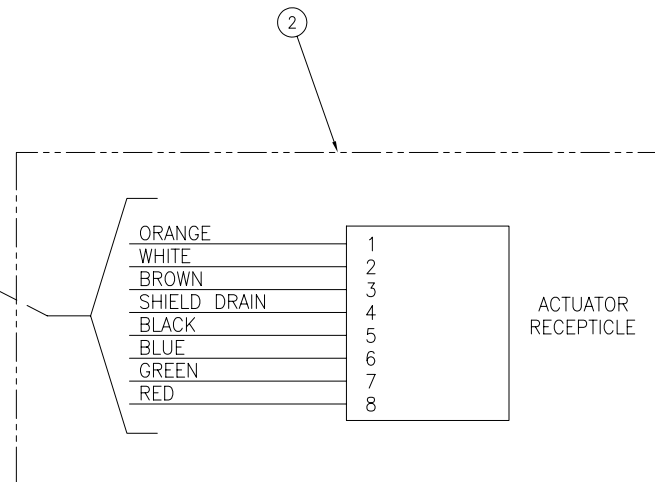
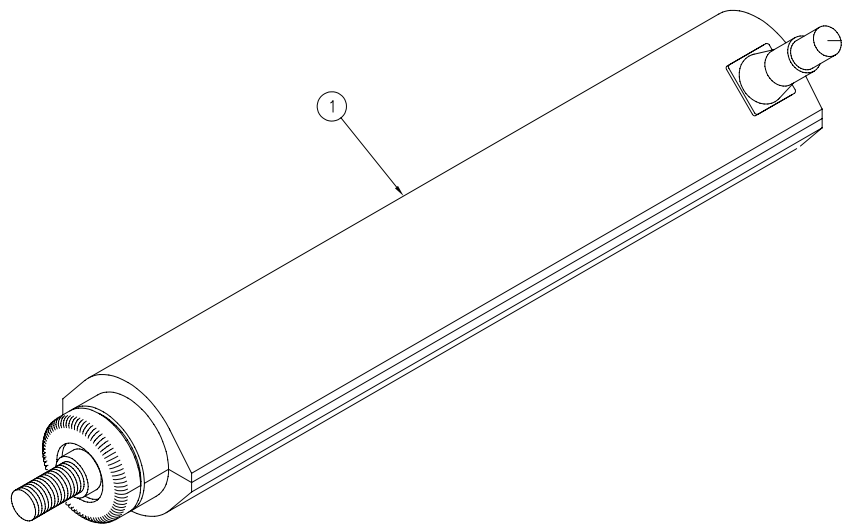



TAB. NO.	DESCRIPTION

REVISIONS					
REV	ECO NO.	DESCRIPTION	DRN.	DATE	CHKD. APPD.
01	-----	PRE-RELEASE	JSC	2/17/99	JPB PCF
A	00-1571	RELEASE TO PRODUCTION	JSC	2/10/00	JPB BN



4. PLACE SHRINK TUBE OVER SHIELD WIRE FROM PIN TO JACKET.
3. CRIMP PINS TO WIRES AND INSERT INTO RECEPTACLE AS SHOWN.
2. STRIP INDIVIDUAL WIRES 1/4".
1. STRIP OUTER JACKET 2".

NOTES:

ADDCO, CONFIDENTIAL INFORMATION THIS DRAWING CONTAINS CONFIDENTIAL AND PROPRIETARY INFORMATION OF ADDCO NOT TO BE USED BY OR DISCLOSED TO ANY OTHER INDIVIDUAL OR LEGAL ENTITY WITHOUT AUTHORIZATION OF A REPRESENTATIVE OF ADDCO			 ADDCO ST. PAUL, MN, 55117		
ASSEMBLIES, WELDMENTS AND RAW MATERIAL TO BE FREE OF RUST	DRN. J.CALTON	DATE 2/17/99	TITLE ASSEMBLY, ERC 330 W/DEUTSCH CON		
DEBURR & REMOVE ALL SHARP EDGES AND CORNERS	CHKD. J. BLUETTNER	2/17/99	APPD. P.FREEBERG 2/17/99		
STANDARD TOLERANCES & NOTES UNLESS OTHERWISE SPECIFIED	APPROX. WEIGHT	MATERIAL	GROUP IPG	DO NOT SCALE DRAWING	
DIMENSIONS ARE IN INCHES	FINISH N/A	SIZE C	NUMBER 001-4619	REV A	REF
.X ± .030 .XXXX ± N/A .XX ± .015 ANGLES ± 1° .XXX ± .005 FRACTIONAL ± 1/32	FINISH N/A	SCALE 1/1	SHT 1 OF 1	REF	